

**TVT**

Secure The World With You

[www.tvt.net.cn](http://www.tvt.net.cn)



# TD-9627E2

**4" 16× 2MP Network IR HD High Speed  
Dome Camera**

**TVT**

TVT DIGITAL TECHNOLOGY CO., LTD.

Address: 5F, North Block, CE Lighting House, Hi-Tech Park, Nanshan District, Shenzhen, Guangdong Province, P.R.China 518057

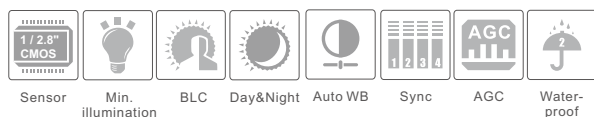
Tel: +86-755-3330 6001

Fax: +86-755-3330 6002

Web site: [www.tvt.net.cn](http://www.tvt.net.cn)

E-mail: [overseas@tvt.net.cn](mailto:overseas@tvt.net.cn)

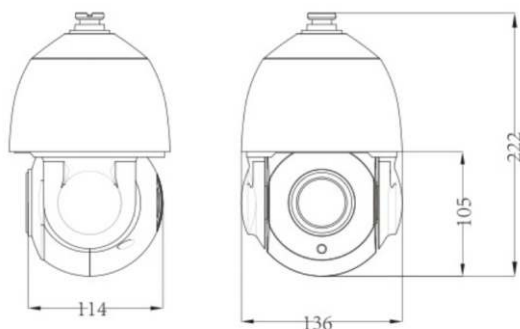
## 4" 16× 2MP Network IR HD High Speed Dome Camera



## Features

- 1 / 2.8" progressive CMOS, 16× optical zoom
- Auto iris, auto focus, auto white balance, BLC and 3D DNR
- HD network video output : 1920 × 1080 @30fps
- H.265 and H.264 image compression format
- TCP / IP, UDP, DHCP, DDNS, NTP, RTSP, SMTP, FTP, PPPoE, IPv4 / IPv6
- SD card local storage, network remote storage
- Web GUI Menu
- Efficient IR array to assist in illumination, low power consumption and up to 50m IR night view distance
- IR LEDs and matching algorithm for ideal image condition by adjusting the brightness and angle of the IR LEDs based on the zoom ratio and distance
- Built-in heat treatment device to lower the inside temperature and avoid fogging of the camera rear cover
- Using 3D intelligent position function through the DVR, client software and IE to realize tracking and amplification
- Power off memory — restoring the PTZ and lens status automatically to its previous status (the status just before the dome is powered off) after the dome is powered on
- IP66 ingress protection; TVS 6KV lightning protection, surge protection
- 1 CH audio input and 1 CH audio output
- Precision motor driving, sensitive and responsive, smoothly running,
- less than 0.1° precision error and no image floating at any speed
- Support home position function

## Dimensions



## Specifications

Model	TD-9627E2
<b>Specifications</b>	
<b>Camera Module</b>	
Image Sensor	1 / 2.8" Progressive Scan CMOS
Effective Pixels	2MP
White Balance	Auto / Manual
AGC	Auto / Manual
3D DNR	Yes
<b>Lens</b>	
Focal Length	5.5 ~ 88 mm
<b>Function</b>	
Pan Range	360° endless rotation
Pan Speed	Manual control speed: 0.1° ~ 120°/s; preset speed: 160°/s
Tilt Range	0 ~ 90°
Tilt Speed	Manual control speed: 0.1° ~ 50°/s; preset speed: 50°/s
Zoom	Yes
Preset	256 presets
Cruise	8 cruises, 16 presets for each cruise
Scan	2 scans
Track	4 tracks, 3 minutes' recording for each track
Time Task	Yes
Home Position	Yes
Power Off Memory	Yes
<b>IR Function</b>	
IR Distance	50 m
IR Control	Brightness and angle of the IR LEDs to be smartly adjusted according to the scenes
<b>Network</b>	
Max Image Size	1920 × 1080
Resolution	2MP ( 1920 × 1080 ), 1.3MP ( 1280 × 960 ), VGA ( 640 × 480 )
Video Compression	H.265 / H.264 / MJPEG
Video Compression Protocol	G.711A / G.711U
Network Protocol	TCP / IP, UDP, DHCP, DDNS, NTP, RTSP, SMTP, FTP, PPPoE, IPv4 / IPv6
Preview Video channels	Max 10 CH
<b>System Integration</b>	
Network Interface	Built-in RJ45 network port, support 10M / 100M network data
SD Card Interface	Built-in Micro SD card slot, support manual recording
API	API, SDK, ONVIF, GB / T28181
Web Client	Web 4.0
<b>General Specifications</b>	
OSD Menu	Chinese / English
Power Supply	DC12V 4000 mA ( 15W, max 30W )
Working Environment	-30 ~ 60°C; humidity: less than 90%
Protection Level	IP66, IK10, TVS6KV lightning protection, surge protection

## Available Model

Available Model	TD-9627E2
-----------------	-----------