

Z8316XF-SL | 8000 series

16 Channel Penta-brid 1080P Lite Digital Video Recorder



Features

- H.264/H.264+ Decoding
- Support AHD/TVI/CVI/CVBS/IP Video Input
- Support HDMI Up To 1080P Output
- Support 16CH 1080P Lite Resolution Preview and Playback
- P2P Cloud Service
- Mobile phone remote monitoring (iOS, Android)
- Multi-browser access (IE, Chrome, Firefox)



System Overview

ZKTeco Z8000XF-SL series DVR could deliver up to excellent 1080P Lite resolution excellent image over advanced H.264+ compression. It's the ideal consideration for the balance of quality, performance and budget.

The friendly GUI provides intuitive shortcut operations, remote control and management, flexible storage, smart search and playback. It's widely used for the government, banking sectors, manufacturers, educational or commercial projects.

Powered by the strong interoperability and Onvif Profile S, it's compatible with a variety of 3rd party crossing platform VMS.

Functions

4-in-1 Auto Detection

It could detect the camera signal automatically without settings, true plug and play for AHD/TVI/CVI/CVBS.

Long Distance Transmission

Powered by leading HD Videoloss technology, it supports up to 500m/800m transmission over RG59/RG6 coaxial cables separately.

AntarView Pro Cloud Service

Flexibly and remotely monitor at anytime or anywhere with AntarView Pro APP.

Technical Parameters

Model	Z8316XF-SL
-------	------------

System

Processor	Multi-core Embedded Processor
Operation System	Embedded Linux

I/O port and Storage

Network Interface	1 RJ-45 port(10/100Mbps)
USB	3*USB 2.0
HDMI	1*1080P HDMI
VGA	1*VGA
Alarm Input	N/A
Alarm Output	N/A
RS-485	Supported
HDD	2 SATA, up to 8TB capacity for each HDD
e-SATA	N/A

Playback and Backup

Playback Channel	16
Search Mode	Time/Date,MD and Exact Search
Playback Function	Play, Pause, Stop, Rewind, Fast Play, Slow Play, Next Camera, Previous Camera, Full Screen, Shuffle, Backup Selection, Digital Zoom
Backup Mode	USB device/Network

Network

Network Protocol	HTTPS, HTTP, TCP/IP, IPv4, UPnP, Onvif 2.6, RTSP, RTCP, UDP, SMTP, SNMP, Multicast, IGMP, NTP, DHCP, DNS, DDNS, FTP, P2P
Max. Online User	5
Mobile App	Antarview Pro (IOS & Android)
Interoperability	Onvif Profile S, SDK

Audio and Video

Audio Compression	G.711a
Audio Bit Rate	64Kbps
Video Input	16ch BNC interface (1.0Vp-p, 75 Ω)
AHD Input	1080P, 720P
TVI Input	1080P, 720P
CVI Input	1080P, 720P
IP Camera Input	Up to 16ch 2MP
Hybrid Mode	8ch(AHD/TVI/CVI/CVBS)+8ch(IP)
Two-way Talk	2 Channel Input, 1 Channel Output, RCA

Recording

Video Compression	H.264/H.264+
Record Resolution	16ch 1080P Lite@10fps
Frame Rate	1fps-12fps
Incoming Bandwidth	64Mbps
Bitrate	11Kbps-2291Kbps
Record Mode	Timing and alarm record Timing Record, Alarm Record

Power

Power supply	DC 12V3A
Consumption	≤10W without HDD

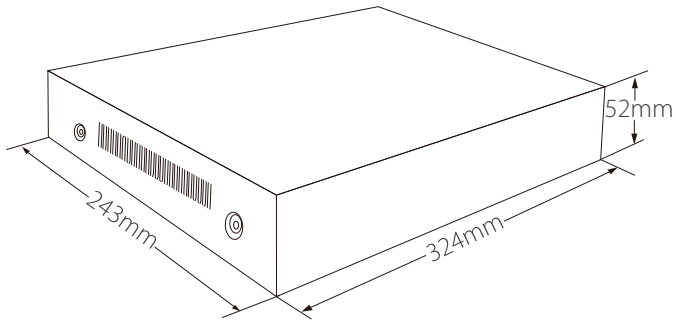
General

Working Temperature	0°C~+55°C
Working Humidity	10~90%
Dimensions	243mmx324mmx52mm
Net Weight	1.3KG

Ordering Information

Type	Part Number	Description
1080P Lite DVR	Z8316XF-SL	16 channel 2 SATA DVR

Dimensions (mm)



Rear Panel

