

ES-35J11/12J

5MP IR Eyeball Analog Camera



- 1/2.5" 5MP Sensor
- AHD/TVI/CVI/CVBS Video Output
- IR Effective Range 10~20m
- High Quality Optical Lens 2.8mm/3.6mm Optional



System Overview

P series HD analog camera adopts advanced 4-in-1 ISP and 1/2.5" image sensor, featured by the excellent image details with wide FOV. It offers built-in UTC function to switch the signal output flexibly among the 4 popular technologies. It's ideal solution for SMB solution with high cost-performance ratio and simplicity for installation.

Functions

Long Distance Transmission

Powered by leading HD Videoloss technology, it supports up to 500m/800m transmission over RG59/RG6 coaxial cables separately.

Smart IR

P series is designed with smart IR function to avoid IR LED overexposure when object/people is getting closer to the camera in the night, ensuring the light intensity is changing proportionally with the distance between camera and objects.

Advanced 4-in-1 Technology

P series is built in with advanced 4-in-1 technology, it's equipped with UTC chipset on board which could support to adjust HD analog signal output flexibly, such as AHD/TVI/CVI/CVBS. It's the final solution for true plug-n-play to work with any brand of HD analog DVR seamlessly.

Protection

Support $\pm 30\%$ input voltage tolerance, it could work safely in extreme unstable power condition.

With working temperature range from -30°C to $+60^{\circ}\text{C}$, it works well in a variety of harsh outdoor environments.

Technical Parameters

Camera

Model	ES-35J11J	ES-35J12J	Effective Pixels	2592(H)* 1944(V)
Image Sensor	1/2.5" 5MP Sensor		S/N Ratio	More than 52dB
Scanning System	Progressive		IR Distance	10~20m
Min. Illumination	0.01Lux/F2.0(color) 0 Lux with IR on		IR LED No	1

Lens

Focal Length	2.8mm	3.6mm	FOV	89°	85°
Aperture	F2.0				

Video

Video Output	AHD/TVI/CVI/CVBS	Defog	Supported
Resolution	20fps@5MP	AGC	Supported
OSD Menu	Supported	Day/Night	Auto(ICR)/Manual
BLC	Supported	White Balance	Supported
WDR	120dB	Noise Reduction	2D/3D DNR

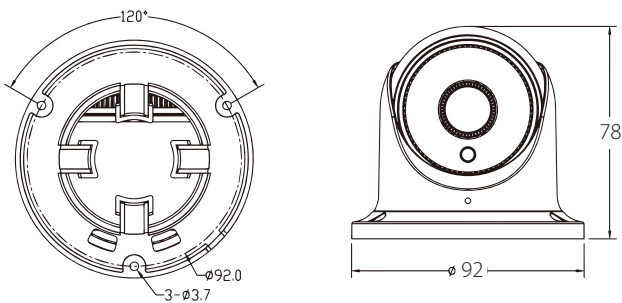
General

Working Temperature	-30 C ~ +60 C	Ingress Protection	N/A
Working Humidity	10~90%	Dimensions	Φ92x78mm
Power Supply	DC12V±10%	Net Weight	0.15KG
Power Consumption	< 3.2W(IR cut off)	Gross Weight	0.2KG

Ordering Information

Type	Part Number	Description
5MP Camera	ES-35J11J	5MP Analog Camera(2.8mm Lens)
	ES-35J12J	5MP Analog Camera(3.6mm Lens)

Dimensions (mm)



More details